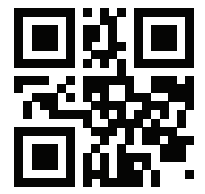


AUDIOPHILE ACOUSTICS



B2[®]

SWEET LIKE DANISH

RIOT SERIES SUBWOOFERS

MODEL: RIOT10D2V2 /D4

MODEL: RIOT12D2V2

MODEL: RIOT12D4V2

PRODUCT ID: RI10D2V220/D420

PRODUCT ID: RI12D2V220

PRODUCT ID: RI12D4V220

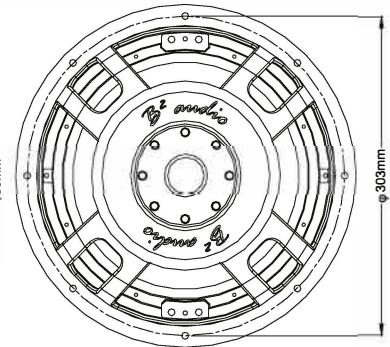
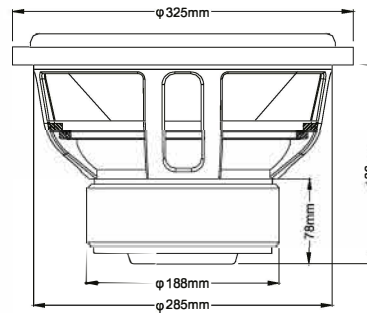
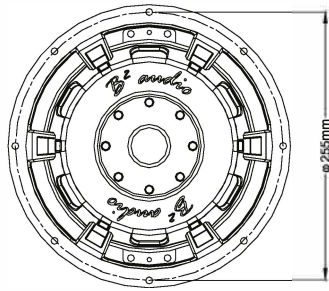
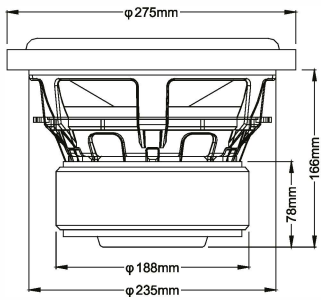
WWW.B2AUDIO.COM / WWW.FACEBOOK.COM/B2AUDIO





SWEET LIKE DANISH

MODEL: RIOT10 / RIOT12



MODEL:	RIOT10D2	RIOT10D4	RIOT12D2	RIOT12D4
Sensitivity:	85 dB	83.1 dB	87.4 dB	84.9
Nominal Impedance:	Dual 2 Ω	Dual 4 Ω	Dual 2 Ω	Dual 4 Ω
DC Resistance (DC):	1.9 Ω	3.2 Ω	1.9 Ω	6.4 Ω
Voice Coil Dim:	3"	3"	3"	3"
Power Handling*:	750 Watts	750 Watts	750 Watts	750 Watts
Peak Dynamic Power:	1500 Watts	1500 Watts	1500 Watts	1500 Watts
XMAX one way (mm):	18	18	18	18
VAS:	12.5 L	12.1 L	34.9 L	35.6 L
FS:	34.9 Hz	36.9 Hz	29.9 Hz	30.4 Hz
QES:	0.63	0.72	0.61	0.7
QMS:	6.98	6.06	6.55	6.56
QTS:	0.57	0.64	0.55	0.63
CMS:	70 um/N	70 um/N	90 um/N	90 um/N
MMS:	280.4 g	241.2 g	300.8 g	287.2 g
BL²/RE:	102.9	82.6	95.5	81.2
Magnet:	240 Oz	240 Oz	240 Oz	240 Oz
Displacement:	3.7 L / .13 cu.ft	3.7 L / .13 cu.ft	5.2 L / .19 cu.ft	5.2 L / .19 cu.ft

ENCLOSURE SUGGESTIONS

TYPE	SEALED	PORTED COMPACT	PORTED	BP 4TH
RIOT10D2	20 L / .71 cu.ft Qtc 0.572	32 L / 1.13 cu.ft P: 4" L: 16.9" / 43 cm FB: 38 Hz	50 L / 1.77 cu.ft P: 4" L: 14.9" / 38 cm FB: 32 Hz	3:1 Ratio
	20 L / .71 cu.ft Qtc 0.62	32 L / 1.13 cu.ft P: 4" L: 17" / 43.2 cm FB: 38 Hz	50 L / 1.77 cu.ft P: 4" L: 15" / 38.2 cm FB: 32 Hz	3:1 Ratio
RIOT12D2	22 L / .79 cu.ft Qtc 0.656	57 L / 2 cu.ft P: 2 x 4" L: 18.95" / 48.1 cm FB: 38 Hz	80 L / 2.85 cu.ft P: 2 x 4" L: 18.9" / 48 cm FB: 32 Hz	3:1 Ratio
	25 L / .89 cu.ft Qtc 0.707	57 L / 2 cu.ft P: 2 x 4" L: 18.8" / 47 cm FB: 38 Hz	80 L / 2.85 cu.ft P: 2 x 4" L: 18.8" / 47 cm FB: 32 Hz	3:1 Ratio

*It's essential that our speakers are given time to allow the suspension to soften up. Depending on use, this may take several weeks. While this process is undergoing, it is not recommended to apply full amplification power according to the speaker's specs. Once the moving parts have been broken in, the performance of your speaker will increase. Abuse of the unit is **not** covered by warranty. The warranty does not cover (1) Speakers that have been used for spl purpose in competitions, (2) Damage caused by amplifier clipping or distortion, (3) Exposure to water, oil, solvent & excessive temperatures +/- (5) Cost of shipping to / from authorized service center.