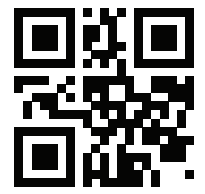


AUDIOPHILE ACOUSTICS



B2<sup>®</sup>

SWEET LIKE DANISH

# RAGE XL SUBWOOFERS

MODEL: RAGE XL1201

MODEL: RAGE XL1202

MODEL: RAGE XL1501

MODEL: RAGE XL1502

PRODUCT ID: RAXL12D118

PRODUCT ID: RAXL12D218

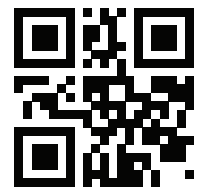
PRODUCT ID: RAXL15D118

PRODUCT ID: RAXL15D218

[WWW.B2AUDIO.COM](http://WWW.B2AUDIO.COM) / [WWW.FACEBOOK.COM/B2AUDIO](http://WWW.FACEBOOK.COM/B2AUDIO)



AUDIOPHILE ACOUSTICS



B2<sup>®</sup>

SWEET LIKE DANISH

# RAGE XL SUBWOOFERS

MODEL: RAGE XL1001

MODEL: RAGE XL1002

MODEL: RAGE XL1801

MODEL: RAGE XL1802

PRODUCT ID: RAXL10D11S

PRODUCT ID: RAXL10D21S

PRODUCT ID: RAXL18D11S

PRODUCT ID: RAXL18D21S

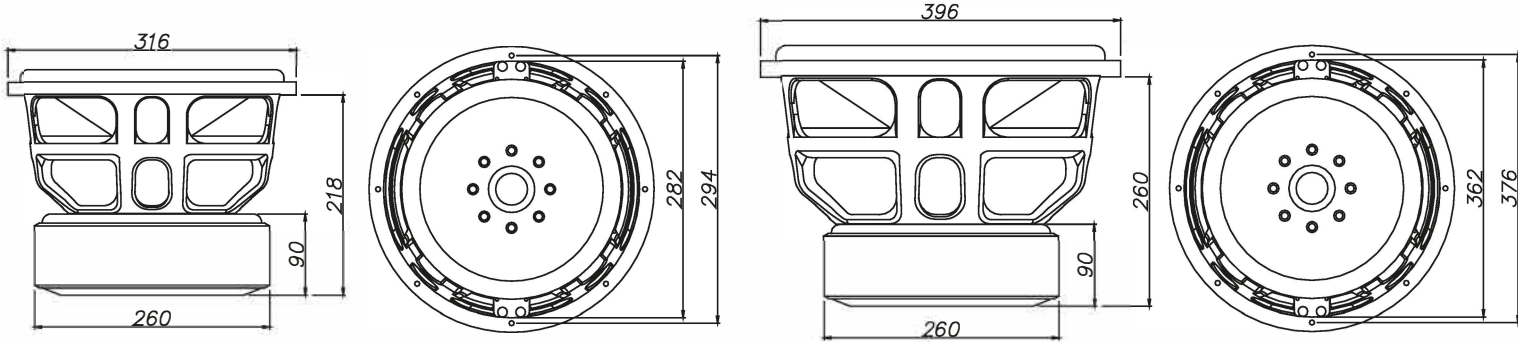
[WWW.B2AUDIO.COM](http://WWW.B2AUDIO.COM) / [WWW.FACEBOOK.COM/B2AUDIO](http://WWW.FACEBOOK.COM/B2AUDIO)





# SWEET LIKE DANISH

MODEL: RAGE XL12 D1 / D2 - RAGE XL15 D1 / D2



Model:	RAGE XL12D1	RAGE XL12D2	RAGE XL15D1	RAGE XL15D2
Sensitivity:	89.43 dB	86 dB	92.3 dB	89 dB
Nominal Impedance:	Dual 1 Ω	Dual 2 Ω	Dual 1 Ω	Dual 2 Ω
DC Resistance (DC):	2 Ω	4 Ω	2 Ω	4 Ω
Voice Coil Dim:	3"	3"	3"	3"
Power Handling*:	2000 Watts	2000 Watts	2000 Watts	2000 Watts
Peak Dynamic Power:	8000 watts	8000 watts	8000 watts	8000 watts
XMAX one way (mm):	35	35	35	35
VAS:	12.9 L	14.3 L	44.3 L	41.7 L
FS:	35 Hz	35 Hz	33 Hz	32 Hz
QES:	0.46	0.5	0.6	0.6
QMS:	6.32	6.5	7.32	7.67
QTS:	0.426	0.464	0.55	0.55
Magnet:	700 Oz	700 Oz	700 Oz	700 Oz
Displacement:	8.5 L / .295 cu.ft	8.5 L / .295 cu.ft	12.1 L / .427 cu.ft	12.1 L / .427 cu.ft

## ENCLOSURE SUGGESTIONS

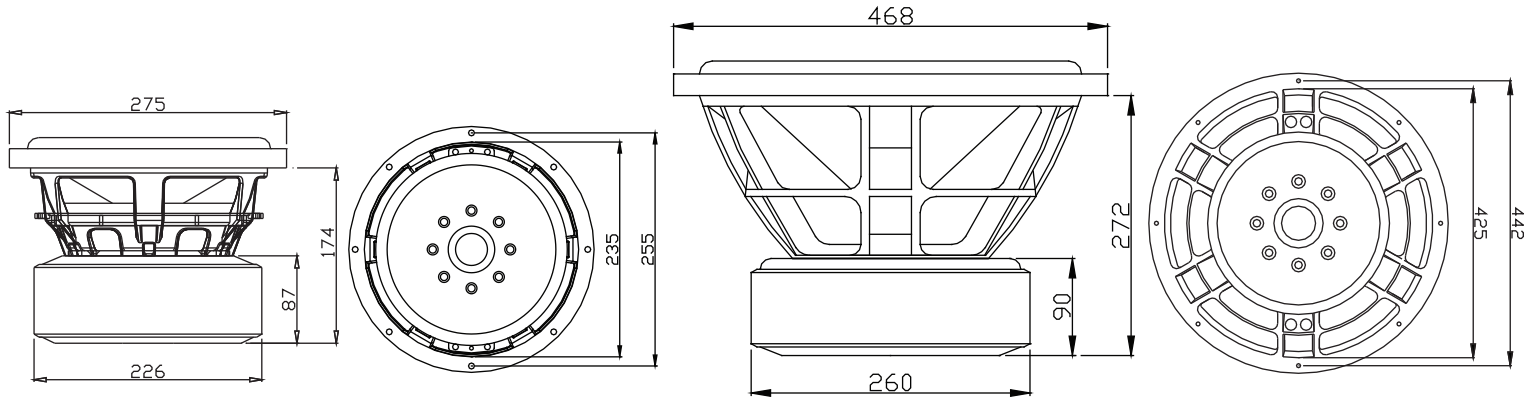
TYPE	SEALED	PORTED COMPACT	PORTED
RAGE XL 12D1	30 L / 1.06 cu.ft	50 L / 1.76 cu.ft	75 L / 2.65 cu.ft
	Qtc 0.424	P.A. 11.6 sq.in L:6.61"	P.A. 22.3 sq.in L:16.6"
		FB: 42 Hz	FB: 35 Hz
RAGE XL 12D2	30 L / 1.06 cu.ft	40 L / 1.41 cu.ft	65 L / 2.3 cu.ft
	Qtc 0.461	P.A. 11.6 sq.in L:9.2"	P.A. 22.3 sq.in L:14.25"
		FB: 42 Hz	FB: 35 Hz
RAGE XL 15D1	50 L / 1.77 cu.ft	87 L / 3.07 cu.ft	155.7 L / 5.5 cu.ft
	Qtc 0.583	P.A. 46.49 sq.in L:23"	P.A. 46.49 sq.in L:16.7"
		FB: 38 Hz	FB: 32 Hz
RAGE XL 15D2	50 L / 1.77. cu.ft	82.6 L / 2.92 cu.ft	155.7 L / 5.5 cu.ft
	Qtc 0.579	P.A. 46.49 sq.in L:24.5"	P.A. 46.49 sq.in L:16.7"
		FB: 38 Hz	FB: 32 Hz

\*It's essential that our speakers are given time to allow the suspension to soften up. Depending on use, this may take several weeks. While this process is undergoing, it is not recommended to apply full amplification power according to the speaker's specs. Once the moving parts have been broken in, the performance of your speaker will increase. Abuse of the unit is **not** covered by warranty. The warranty does not cover (1) Speakers that have been used for spl purpose in competitions, (2) Damage caused by amplifier clipping or distortion, (3) Exposure to water, oil, solvent & excessive temperatures +/- (5) Cost of shipping to / from authorized service center.



# SWEET LIKE DANISH

MODEL: RAGE XL10 D1 / D2 - RAGE XL18 D1 / D2



Model:	RAGE XL10D1	RAGE XL10D2	RAGE XL18D1	RAGE XL18D2
Sensitivity:	90.3 dB	86 dB	95.7 dB	91.45 dB
Nominal Impedance:	Dual 1 Ω	Dual 2 Ω	Dual 1 Ω	Dual 2 Ω
DC Resistance (DC):	2 Ω	4 Ω	2 Ω	4 Ω
Voice Coil Dim:	3"	3"	3"	3"
Power Handling*:	1500 Watts	1500 Watts	2000 Watts	2000 Watts
Peak Dynamic Power:	6000 watts	6000 watts	8000 watts	8000 watts
XMAX one way (mm):	28	28	35	35
VAS:	11.7 L	8.9 L	101.3 L	111.3 L
FS:	34.5 Hz	35 Hz	28.6 Hz	27.6 Hz
QES:	0.46	0.5	0.54	0.62
QMS:	4.78	5.04	5.69	6.13
QTS:	0.42	0.455	0.493	0.563
Magnet:	560 Oz	560 Oz	705 Oz	705 Oz
Displacement:	5.1 L / .18 cu.ft	5.1 L / .18 cu.ft	15.2 L / .537 cu.ft	15.2 L / .537 cu.ft

ENCLOSURE SUGGESTIONS				
TYPE	SEALED	PORTED COMPACT	PORTED	BP 4TH
RAGE10XLD1	35 L / 1.236 cu.ft	35 L / 1.236 cu.ft	50 L / 1.76 cu.ft	3:1 Ratio
	Otc 0.408	P.A. 12.4 sq.in L: 13.28" / 33.7 cm FB: 42 Hz	P.A. 12.4 sq.in L: 13.4" / 34 cm FB: 35 Hz	
RAGE10XLD2	35 L / 1.236 cu.ft	35 L / 1.236 cu.ft	50 L / 1.76 cu.ft	3:1 Ratio
	Otc 0.427	P.A. 15.5 sq.in L: 16.78" / 42.6 cm FB: 42 Hz	P.A. 17.05 sq.in L: 18.72" / 47.5 cm FB: 35 Hz	
RAGE18XLD1	85 L / 3 cu.ft	85 L / 3 cu.ft	220 L / 7.75 cu.ft	3:1 Ratio
	Otc 0.664	P.A. 32.7 sq.in L: 13.6" / 34.6 cm FB: 42 Hz	P.A. 68.18 sq.in L: 25" / 63.5 cm FB: 28 Hz	
RAGE18XLD2	85 L / 3 cu.ft	85 L / 3 cu.ft	250 L / 8.82 cu.ft	3:1 Ratio
	Otc 0.633	P.A. 30.7 sq.in L: 12.7" / 32.7 cm FB: 42 Hz	P.A. 61.36 sq.in L: 20.78" / 52.8 cm FB: 27 Hz	

\*It's essential that our speakers are given time to allow the suspension to soften up. Depending on use, this may take several weeks. While this process is undergoing, it is not recommended to apply full amplification power according to the speaker's specs. Once the moving parts have been broken in, the performance of your speaker will increase. Abuse of the the unit is **not** covered by warranty. The warranty does not cover (1) Speakers that have been used for spl purpose in competitions, (2) Damage caused by amplifier clipping or distortion, (3) Exposure to water, oil, solvent & excessive temperatures +/- (5) Cost of shipping to / from authorized service center.