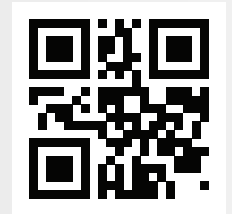


**B<sup>2</sup> audio**

MODEL: REF10

PRODUCT ID: REF10D415



# REF10

OWNER'S MANUAL

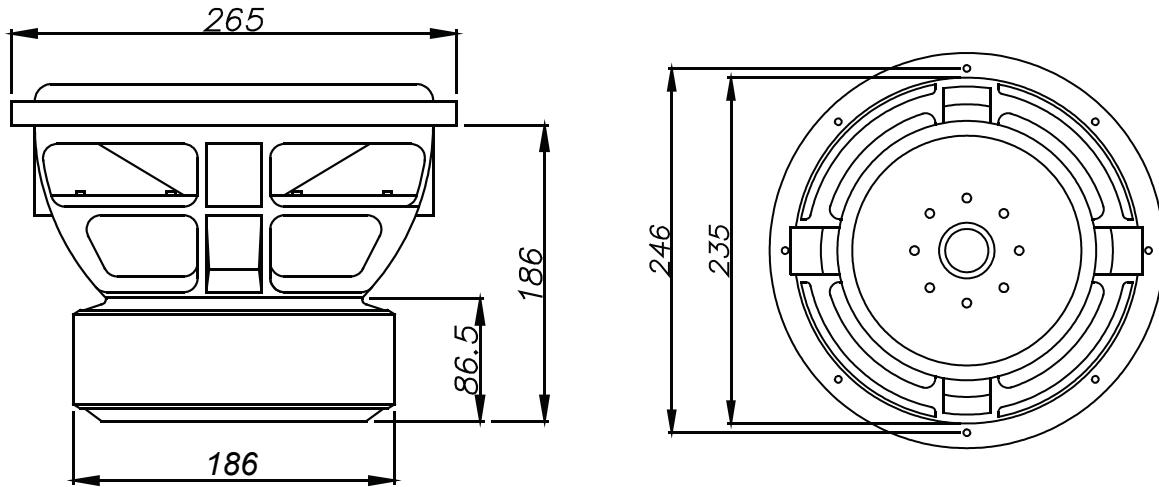
**SWEET LIKE DANISH**  
**SQL AUDIOPHILE COMPONENTS**

CE



# SWEET LIKE DANISH

MODEL: REF10



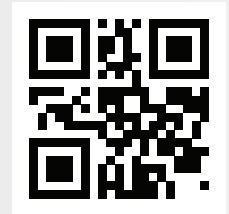
Model:	REF10D4	<b>ENCLOSURE SUGGESTIONS</b>	
Sensitivity:	91.4 dB	<b>SEALED</b>	20 L / 0.71 cu.ft
Nominal Impedance:	Dual 4 Ω		Qtc 0.3
DC Resistance (DC) Parallel:	1.6 Ω		
Voice Coil Dim:	3"	<b>PORTED COMPACT</b>	35 L / 1.23 cu.ft
Power Handling*:	600 Watts		P: 4" L: 16.9"
Peak Dynamic Power:	1200 Watts		FB: 36 Hz
XMAX one way (mm):	20	<b>PORTED</b>	50 L / 1.76 cu.ft
VAS:	22.7 L		P: 4" L: 20.7"
FS:	27.3Hz		FB: 28 Hz
QES:	0.26	<b>BP 4TH</b>	S: 20 L / 0.71 cu.ft
QMS:	3,42		P: 35 L / 1.23 cu.ft
QTS:	0.24		P: 4" L: 1"
Magnet:	2 x 80 Oz		
Displacement:	4.1 L / 0.15 cu.ft		

\*It's essential that our speakers are given time to allow the suspension to soften up. Depending on use, this may take several weeks. While this process is undergoing, it is not recommended to apply full amplification power according to the speaker's specs. Once the moving parts have been broken in, the performance of your speaker will increase. Abuse of the the unit is **not** covered by warranty. The warranty does not cover (1) Speakers that have been used for spl purpose in competitions, (2) Damage caused by amplifier clipping or distortion, (3) Exposure to water, oil, solvent & excessive temperatures +/- (5) Cost of shipping to / from authorized service center.

**B<sup>2</sup> audio**

MODEL: REF12V2

PRODUCT ID: REF12V2D417



**REF12**

**OWNER'S MANUAL**

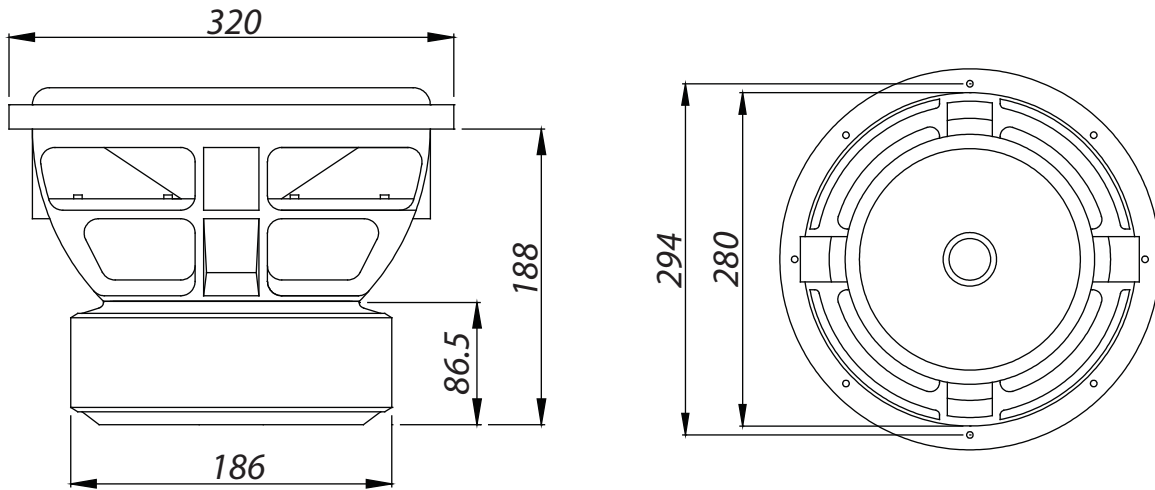
**SWEET LIKE DANISH  
SQL AUDIOPHILE COMPONENTS**

**CE**



# SWEET LIKE DANISH

MODEL: REF12V2



Model:	REF12D4	ENCLOSURE SUGGESTIONS	
Sensitivity:	87.5 dB	<b>SEALED</b>	30 L / 1.06 cu.ft
Nominal Impedance:	Dual 4 Ω		Qtc 0.4
DC Resistance (DC) Series:	6.4 Ω		
Voice Coil Dim:	3"	<b>PORTED COMPACT</b>	36 L / 1.27 cu.ft
Power Handling*:	600 Watts		P: 2.5" L: 17"
Peak Dynamic Power:	1200 Watts		FB: 25 Hz
XMAX one way (mm):	20	<b>PORTED</b>	
VAS:	72.6 L		
FS:	20.8 Hz		
QES:	0.29		50 L / 1.76 cu.ft
QMS:	3,4		P: 2.5" L: 14.9"
QTS:	0.26		FB: 20 Hz
Magnet:	2 x 80 Oz		
Displacement:	5.1 L / 0.182 cu.ft		

\*It's essential that our speakers are given time to allow the suspension to soften up. Depending on use, this may take several weeks. While this process is undergoing, it is not recommended to apply full amplification power according to the speaker's specs. Once the moving parts have been broken in, the performance of your speaker will increase. Abuse of the the unit is **not** covered by warranty. The warranty does not cover (1) Speakers that have been used for spl purpose in competitions, (2) Damage caused by amplifier clipping or distortion, (3) Exposure to water, oil, solvent & excessive temperatures +/- (5) Cost of shipping to / from authorized service center.