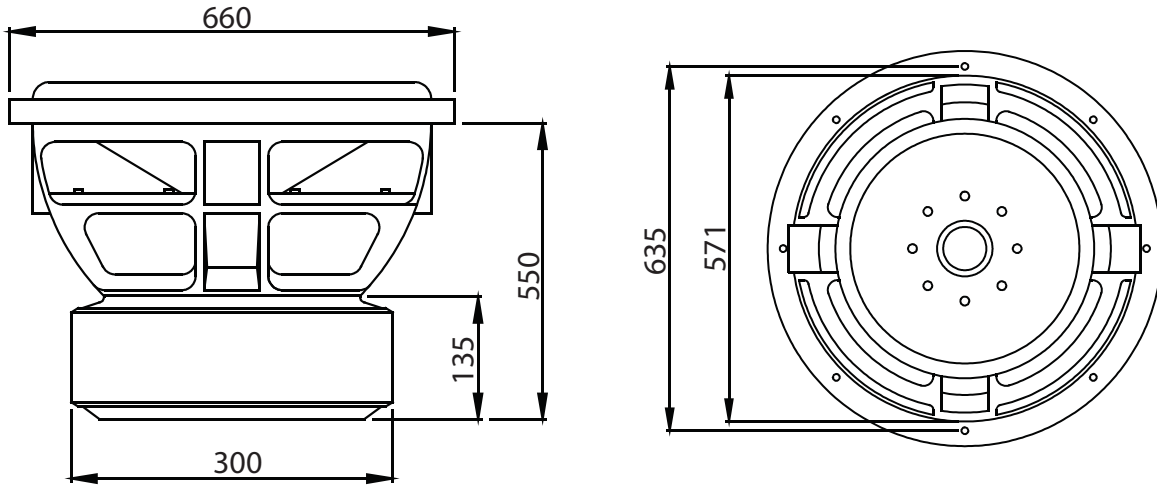




SWEET LIKE DANISH

MODEL: X2C24 (CUSTOM COATED PAPER CONE)



Model:	X2C24D1	ENCLOSURE SUGGESTIONS	
Sensitivity:	89.4 dB		200 L / 7.06 cu.ft
Nominal Impedance:	Dual 1 Ω	SEALED	Qts: 0.653
DC Resistance (DC) Serial:	1.7 Ω		
Voice Coil Dim:	5"		
Power Handling*:	5000 Watts	PORTED COMPACT	P.A. : 154.96 sq.in L: 22.96"
Peak Dynamic Power:	20000 Watts		FB: 30 Hz
XMAX one way (mm):	45		
VAS:	132.9 L		650 L / 23 cu.ft
FS:	28 Hz	PORTED	P.A. : 154.96 sq.in L: 19"
QES:	1.055		FB: 25 Hz
QMS:	6.492		
QTS:	0.907		Ported : 400 L / 14.13 cu.ft
Motor Structure:	1600 Oz	BP 4TH	Sealed : 200 L / 7.06 cu.ft
Displacement:	46 L / 1.62 cu.ft		P.A. : 77.5 sq.in L: 18.3"

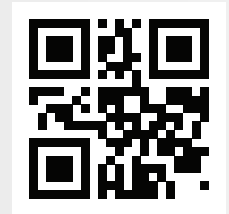
*It's essential that our speakers are given time to allow the suspension to soften up. Depending on use, this may take several weeks. While this process is ongoing, it is not recommended to apply full amplification power according to the speaker's specs. Once the moving parts have been broken in, the performance of your speaker will increase. Abuse of the unit is **not** covered by warranty. The warranty does not cover (1) Speakers that have been used for spl purpose in competitions, (2) Damage caused by amplifier clipping or distortion, (3) Exposure to water, oil, solvent & excessive temperatures +/- (5) Cost of shipping to / from authorized service center.

Made in Denmark

B² audio

MODEL: X2C24

PRODUCT ID: X2C24D116



X2C24

OWNER'S MANUAL

**SWEET LIKE DANISH
SQL AUDIOPHILE COMPONENTS**

MADE IN DENMARK

