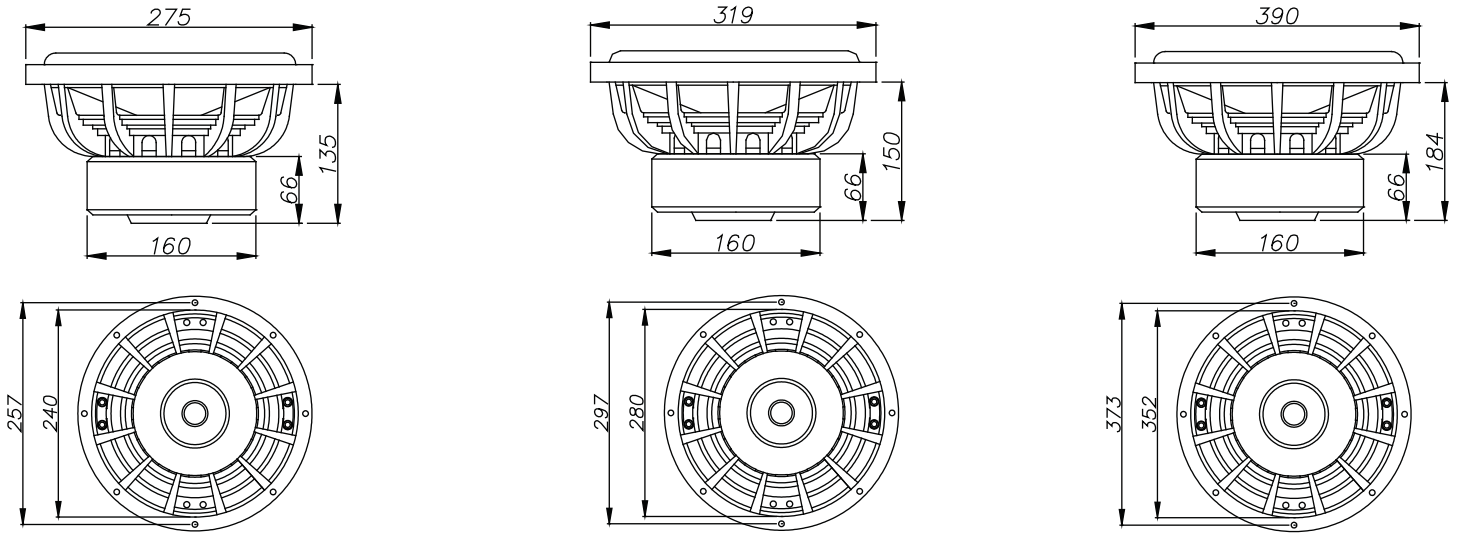




SWEET LIKE DANISH

MODEL: IS10V3/IS12V3/IS15V3



Model:	IS10D2 V3	IS12D2 V3	IS12D4 V3	IS15D2 V3	IS15D4 V3
Sensitivity:	87.4 dB	89 dB	86 dB	91.91 dB	87.9 dB
Nominal Impedance:	Dual 2 Ω	Dual 2 Ω	Dual 4 Ω	Dual 2 Ω	Dual 4 Ω
DC Resistance (DC):	1.9 Ω	1.9 Ω	3.3 Ω	1.9 Ω	3.3 Ω
Voice Coil Dim:	2.5"	2.5"	2.5"	2.5"	2.5"
Power Handling*:	750 Watts	750 Watts	750 Watts	750 Watts	750 Watts
Peak Dynamic Power:	1500 Watts	1500 Watts	1500 Watts	1500 Watts	1500 Watts
XMAX one way (mm):	18	18	18	18	18
VAS:	16.9 L	33 L	24.9 L	88.6 L	64 L
FS:	33.6 Hz	32.1 Hz	38 Hz	28.9 Hz	33 Hz
QES:	0.56	0.59	0.79	0.61	0.86
QMS:	5.75	5.84	6.3	5.95	7.6
QTS:	0.51	0.54	0.7	0.55	0.78
Magnet:	120 Oz	120 Oz	120 Oz	120 Oz	120 Oz
Displacement:	2.63 L / .093 cu.ft	3.2 L / .114 cu.ft	3.2 L / .114 cu.ft	6.16 L / 0.218 cu.ft	6.16 L / 0.218 cu.ft

ENCLOSURE SUGGESTIONS				
TYPE	SEALED	PORTED COMPACT	PORTED	BP 4TH
IS10	20 L / .71 cu.ft	28.3 L / 1 cu.ft	40 L / 1.4 cu.ft	S: 20 L / .71 cu.ft
	Qtc 0.54	P: 4" L: 15.75" FB: 42 Hz	P: 4" L: 16.5" FB: 35 Hz	P: 40 L / 1.4 cu.ft P.A. 15.5 sq.in L: 16.9"
IS12D2	25 L / .88 cu.ft	39.4 L / 1.4 cu.ft	60 L / 2.1 cu.ft	S: 25 L / .88 cu.ft
	Qtc 0.62	P: 4" L: 10.26" FB: 42 Hz	P.A. 18.6 sq.in L: 19.3" FB: 32 Hz	P: 50 L / 1.77 cu.ft P.A. 18.6 sq.in L: 22.2"
IS12D4	26.6 L / .94 cu.ft	39.4 L / 1.4 cu.ft	77 L / 2.7 cu.ft	
	Qtc 0.707	P: 4" L: 10.35" FB: 42 Hz	P.A. 30.15 sq.in L: 24.5" FB: 32 Hz	2:1 ratio
IS15D2	40 L / 1.4 cu.ft	70 L / 2.42 cu.ft	171 L / 6.05 cu.ft	S: 43.5 L / 1.54 cu.ft
	Otc 0.707	P: 6" L: 14.75" FB: 41 Hz	P.A. 29.4 sq.in L: 9" FB: 30 Hz	P: 76.4 L / 2.7 cu.ft P.A. 18.6 sq.in L: 14.7"
IS15D4	60 L / 2.11 cu.ft	70 L / 2.42 cu.ft	245 L / 8.65 cu.ft	
	Otc 0.781	P.A. 35.43 sq.in L: 22" FB: 38 Hz	P.A. 100 sq.in L: 20.36" FB: 32 Hz	2:1 ratio

*It's essential that our speakers are given time to allow the suspension to soften up. Depending on use, this may take several weeks. While this process is undergoing, it is not recommended to apply full amplification power according to the speaker's specs. Once the moving parts have been broken in, the performance of your speaker will increase. Abuse of the unit is **not** covered by warranty. The warranty does not cover (1) Speakers that have been used for spl purpose in competitions, (2) Damage caused by amplifier clipping or distortion, (3) Exposure to water, oil, solvent & excessive temperatures +/- (5) Cost of shipping to / from authorized service center.