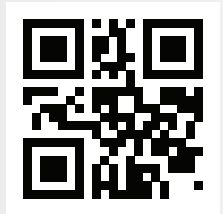


B² audio

MODEL: HNX65
MODEL: HNX8

PRODUCT ID: HNX65D217
PRODUCT ID: HNX8D217



HNX65 / HNX8

OWNER'S MANUAL

**SWEET LIKE DANISH
SQL AUDIOPHILE COMPONENTS**

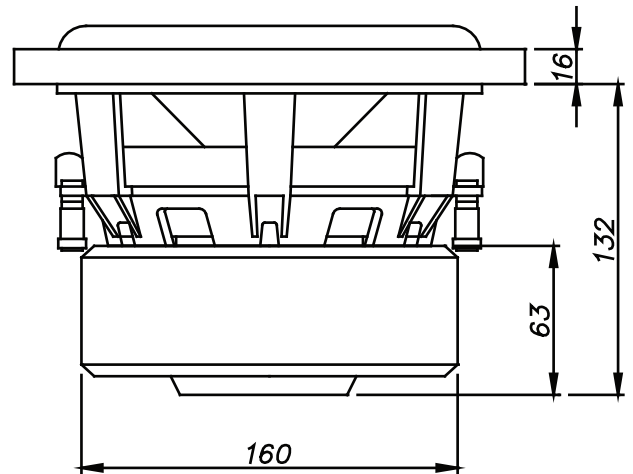
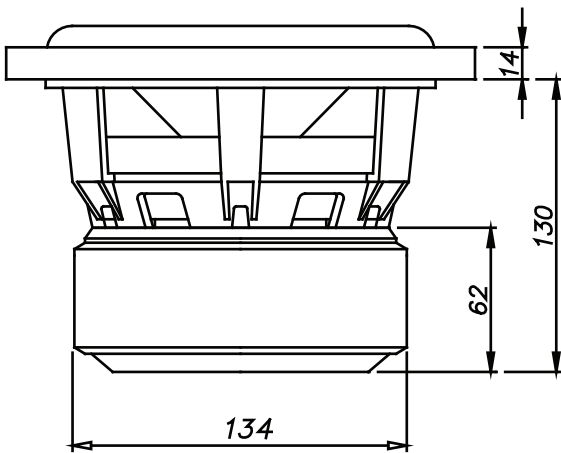
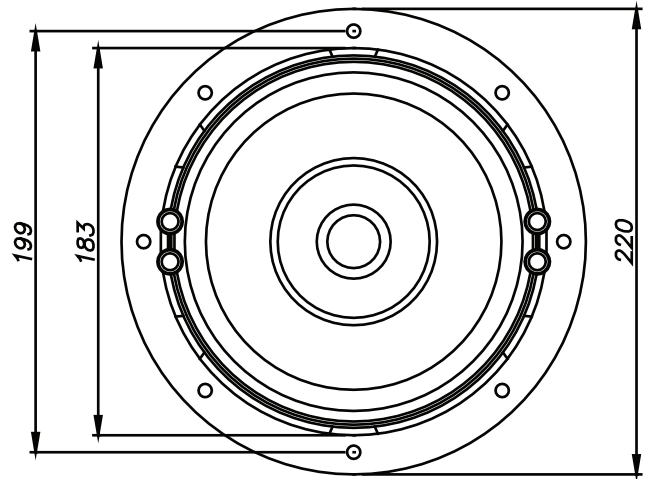
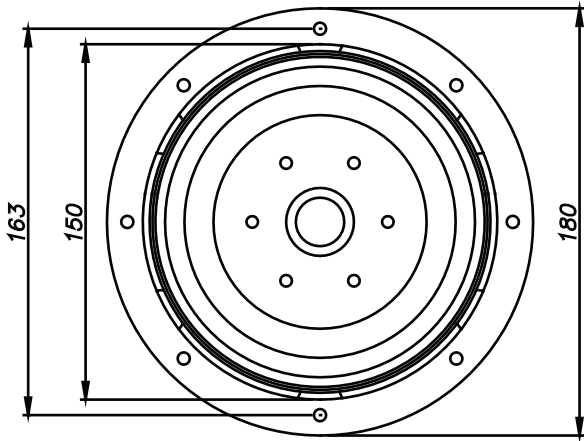
CE



SWEET LIKE DANISH

MODEL: HNX65

MODEL: HNX8



Model:	HNX65	ENCLOSURE SUGGESTIONS		HNX8	ENCLOSURE SUGGESTIONS	
Sensitivity:	86.1 dB	SEALED	5 L / 0.177 cu.ft	83.8 dB	SEALED	7.6 L / 0.27 cu.ft
Nominal Impedance:	Dual 2 Ω		Qtc 0.40	Dual 2 Ω		Qtc 0.48
DC Resistance (DC):	1.9 Ω	PORTED COMPACT	8 L / 0.25 cu.ft	1.9 Ω	PORTED COMPACT	10 L / 0.35 cu.ft
Voice Coil Dim:	2"		P: 1.4" L: 5.2"	2"		P: 1.4" L: 5.6"
Power Handling*:	300 Watts		FB: 48 Hz	400 Watts		FB: 42 Hz
Peak Dynamic Power:	600 Watts	PORTED	16 L / 0.56 cu.ft	800 Watts	PORTED	20 L / 0.7 cu.ft
XMAX one way (mm):	15		P: 2" L: 5.3"	5.4 L		P: 2" L: 6.2"
VAS:	3.7 L		FB: 46 Hz	0.5		FB: 39 Hz
FS:	48.9 Hz			5.64		
QES:	0.39		0.46			
QMS:	5.07		100 Oz			
QTS:	0.37		2.08 L / .07 cu.ft			
Magnet:	80 Oz					
Displacement:	1.6 L / .056 cu.ft					

*It's essential that our speakers are given time to allow the suspension to soften up. Depending on use, this may take several weeks. While this process is undergoing, it is not recommended to apply full amplification power according to the speaker's specs. Once the moving parts have been broken in, the performance of your speaker will increase. Abuse of the unit is **not** covered by warranty.

The warranty does not cover (1) Speakers that have been used for spl purpose in competitions, (2) Damage caused by amplifier clipping or distortion, (3) Exposure to water, oil, solvent & excessive temperatures +/-, (4) Cost of shipping to / from authorized service center. More about warranty & repairs can be found on our website at www.b2audio.com/warranty & www.b2audio.com/repairs