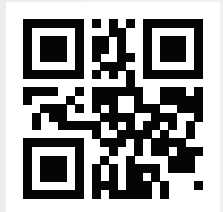


B² audio

MODEL: HN10
MODEL: HN12
MODEL: HN15

PRODUCT ID: HN10D1/D21S
PRODUCT ID: HN12D1/D21S
PRODUCT ID: HN15D1/D21S



HN10 / HN12 / HN15

OWNER'S MANUAL

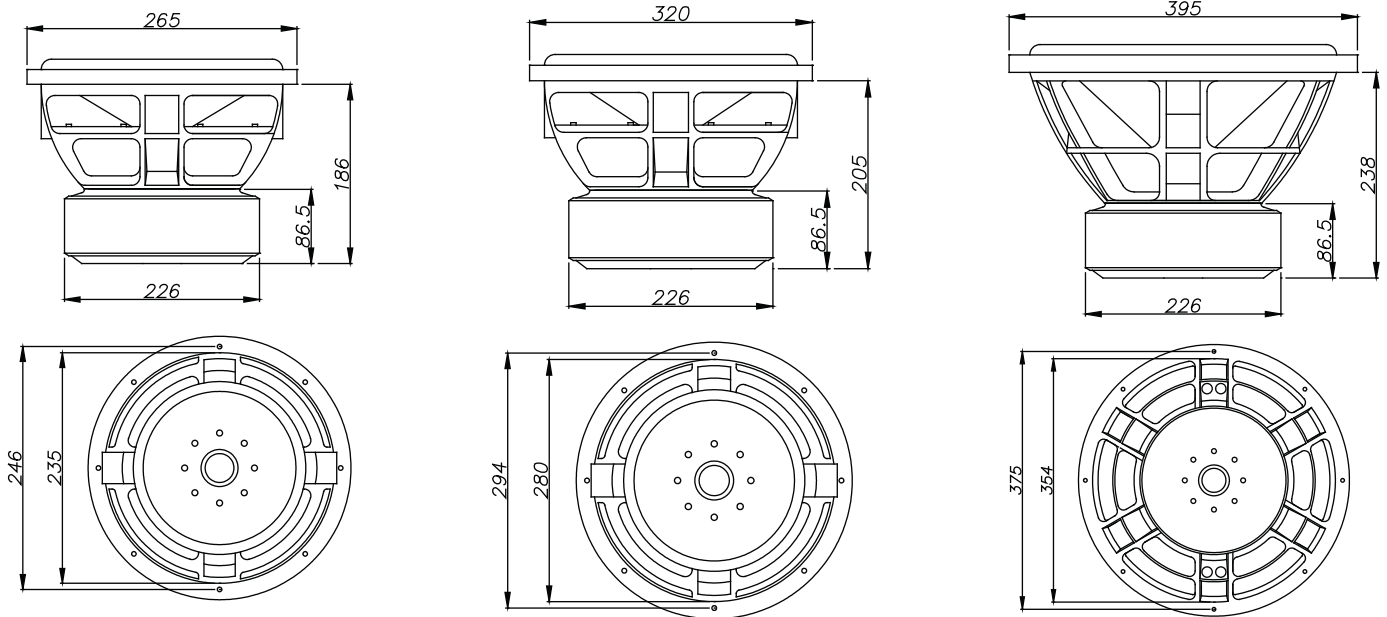
**SWEET LIKE DANISH
SQL AUDIOPHILE COMPONENTS**

CE



SWEET LIKE DANISH

MODEL: HN10/HN12/HN15



| | | | | | | |
|---------------------|-------------------|-------------------|--------------------|--------------------|--------------------|--------------------|
| Model: | HN10D1 | HN10D2 | HN12D1 | HN12D2 | HN15D1 | HN15D2 |
| Sensitivity: | 89.4 dB | 86.3 dB | 92 dB | 89.3 dB | 94,5 dB | 92,2 dB |
| Nominal Impedance: | Dual 1 Ω | Dual 2 Ω | Dual 1 Ω | Dual 2 Ω | Dual 1 Ω | Dual 2 Ω |
| DC Resistance (DC): | 1.8 Ω | 3.8 Ω | 1.8 Ω | 3.8 Ω | 1.8 Ω | 3.8 Ω |
| Voice Coil Dim: | 3" | 3" | 3" | 3" | 3" | 3" |
| Power Handling*: | 1500 Watts | 1500 Watts | 1500 Watts | 1500 Watts | 1500 Watts | 1500 Watts |
| Peak Dynamic Power: | 4500 Watts | 4500 Watts | 4500 Watts | 4500 Watts | 4500 Watts | 4500 Watts |
| XMAX one way (mm): | 20 | 20 | 23 | 23 | 28 | 28 |
| VAS: | 10.4 L | 10.8 L | 25.7 L | 33 L | 72.6 L | 73.5 L |
| FS: | 36.7 Hz | 36.1 Hz | 33.6 Hz | 32.5 Hz | 29.3 Hz | 28.7 Hz |
| QES: | 0.45 | 0.40 | 0.48 | 0.41 | 0.53 | 0.47 |
| QMS: | 4,27 | 5,55 | 4,99 | 5,32 | 5,04 | 5,51 |
| QTS: | 0.41 | 0.37 | 0.43 | 0.38 | 0,48 | 0,44 |
| Magnet: | 300 Oz | 300 Oz | 300 Oz | 300 Oz | 300 Oz | 300 Oz |
| Displacement: | 5.3 L / .18 cu.ft | 5.3 L / .18 cu.ft | 6.7 L / 0.24 cu.ft | 6.7 L / 0.24 cu.ft | 9.7 L / 0.34 cu.ft | 9.7 L / 0.34 cu.ft |

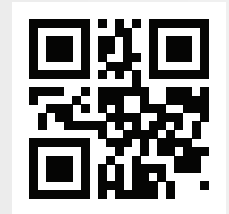
| TYPE | ENCLOSURE SUGGESTIONS | | | |
|---------|-----------------------|---------------------------|--------------------------|--------------------------|
| | SEALED | PORTED COMPACT | PORTED | BP 4TH |
| HN10-D1 | 20 L / 0.71 cu.ft | 40 L / 1.4 cu.ft | 60 L / 2.12 cu.ft | - |
| | Qtc 0.419 | P: 4" L: 16.5" | P.A. 18.6 sq.in L: 20.4" | |
| | | FB: 35 Hz | FB: 32 Hz | |
| HN10-D2 | 20 L / 0.71 cu.ft | 40 L / 1.4 cu.ft | 60 L / 2.12 cu.ft | - |
| | Qtc 0.386 | P: 4" L: 15.4" | P.A. 19.7 sq.in L: 18" | |
| | | FB: 35 Hz | FB: 35 Hz | |
| HN12-D1 | 28.3 L / 1 cu.ft | 40 L / 1.4 cu.ft | 70 L / 2.47 cu.ft | - |
| | Qtc 0.43 | P.A. 11.62 sq.in L: 16.8" | P.A. 18.5 sq.in L: 20.5" | |
| | | FB: 35 Hz | FB: 30 Hz | |
| HN12-D2 | 28.3 L / 1 cu.ft | 40 L / 1.4 cu.ft | 70 L / 2.47 cu.ft | S: 25 L / .88 cu.ft |
| | Qtc 0.477 | P.A. 12.35 sq.in L: 17.4" | P.A. 17.7 sq.in L: 19.7" | P: 50 L / 1.77 cu.ft |
| | | FB: 35 Hz | FB: 30 Hz | P.A. 32.4 sq.in L: 18.3" |
| HN15-D1 | 50 L / 1.76 cu.ft | 80 L / 2.42 cu.ft | 147 L / 5.19 cu.ft | S: 28 L / 1 cu.ft |
| | Otc 0.57 | P: 6" L: 16.9" FB: 35 Hz | P.A. 41.2 sq.in L: 20" | P: 57 L / 2 cu.ft |
| | | | FB: 30 Hz | P.A. 32.4 sq.in L: 16" |
| HN15-D2 | 50 L / 1.76 cu.ft | 80 L / 2.84 cu.ft | 121 L / 4.27 cu.ft | S: 46 L / 1.62 cu.ft |
| | Otc 0.534 | P: 6" L: 16.77" FB: 35 Hz | P.A. 41.2 sq.in L: 25" | P: 60 L / 2.1 cu.ft |
| | | | FB: 30 Hz | P.A. 32.3 sq.in L: 16.5" |

*It's essential that our speakers are given time to allow the suspension to soften up. Depending on use, this may take several weeks. While this process is underway, it is not recommended to apply full amplification power according to the speaker's specs. Once the moving parts have been broken in, the performance of your speaker will increase. Abuse of the unit is **not** covered by warranty. The warranty does not cover (1) Speakers that have been used for spl purpose in competitions, (2) Damage caused by amplifier clipping or distortion, (3) Exposure to water, oil, solvent & excessive temperatures +/- (5) Cost of shipping to / from authorized service center.

B² audio

MODEL: HN18V3

PRODUCT ID: HN18D1/D216



HNX18

OWNER'S MANUAL

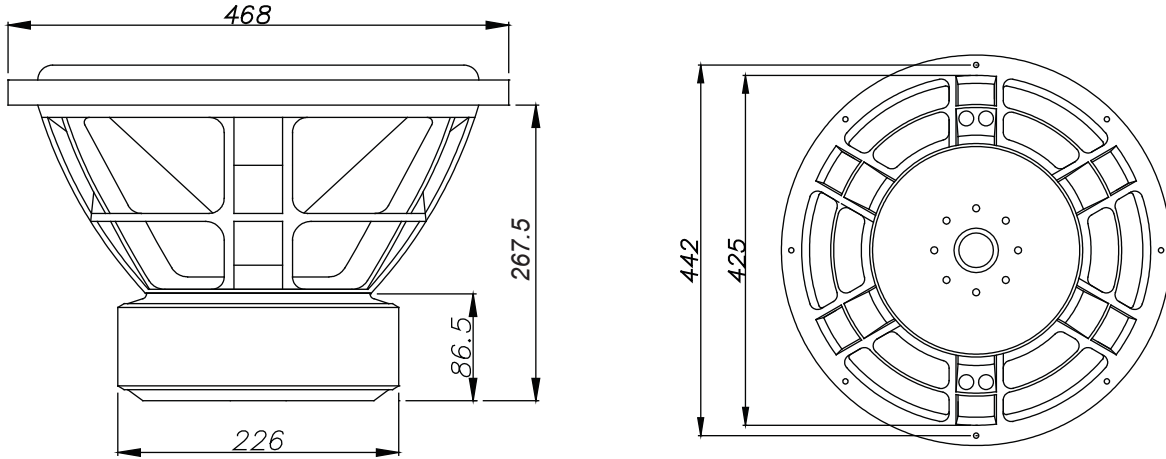
SWEET LIKE DANISH
SQL AUDIOPHILE COMPONENTS

CE



SWEET LIKE DANISH

MODEL: HN18V3



| Model: | HNX18D1 | HNX18D2 |
|---------------------|--------------------|--------------------|
| Sensitivity: | 94.6 dB | 93 dB |
| Nominal Impedance: | Dual 1 Ω | Dual 2 Ω |
| DC Resistance (DC): | 1.8 Ω | 3.4 Ω |
| Voice Coil Dim: | 4" | 4" |
| Power Handling*: | 2000 Watts | 2000 Watts |
| Peak Dynamic Power: | 4000 Watts | 4000 Watts |
| XMAX one way (mm): | 30 | 30 |
| VAS: | 59.1 L | 102.6 L |
| FS: | 34.5 Hz | 34 Hz |
| OES: | 0.8 | 0.95 |
| OMS: | 4.99 | 5.41 |
| OTS: | 0.69 | 0.81 |
| Magnet: | 300 Oz | 300 Oz |
| Displacement: | 13.2 l / 467 cu.ft | 13.2 l / 467 cu.ft |

| TYPE | ENCLOSURE SUGGESTIONS | | | |
|---------|-----------------------|---------------------------------------|---------------------------------------|--|
| | SEALED | PORTED COMPACT | PORTED | BP 4TH |
| HN18-D1 | 62 L / 2.2 cu.ft | 155 L / 5.5 cu.ft | 226 L / 8 cu.ft | S: 50 L / 1.76 cu.ft |
| | Qtc 0.698 | P.A. 55.8 sq.in L: 15.3" FB: 37 Hz | P.A. 55.8 sq.in L: 19.5" FB: 28 Hz | P: 150 L / 5.3 cu.ft P.A. 34.9 sq.in L: 30.8" |
| HN18-D2 | 88 L / 3.1 cu.ft | 150 L / 5.3 cu.ft | 200 L / 7.06 cu.ft | S: 50 L / 1.76 cu.ft |
| | Qtc 0.81 | P.A. 55.8 sq.in L: 15.9" FB: 37 Hz | P.A. 55.8 sq.in L: 22" FB: 28 Hz | P: 150 L / 5.3 cu.ft P.A. 30 sq.in L: 34.1" |

*It's essential that our speakers are given time to allow the suspension to soften up. Depending on use, this may take several weeks. While this process is undergoing, it is not recommended to apply full amplification power according to the speaker's specs. Once the moving parts have been broken in, the performance of your speaker will increase. Abuse of the unit is **not** covered by warranty. The warranty does not cover (1) Speakers that have been used for SPL purpose in competitions, (2) Damage caused by amplifier clipping or distortion, (3) Exposure to water, oil, solvent & excessive temperatures +/- (4) Cost of shipping to / from authorized service center.