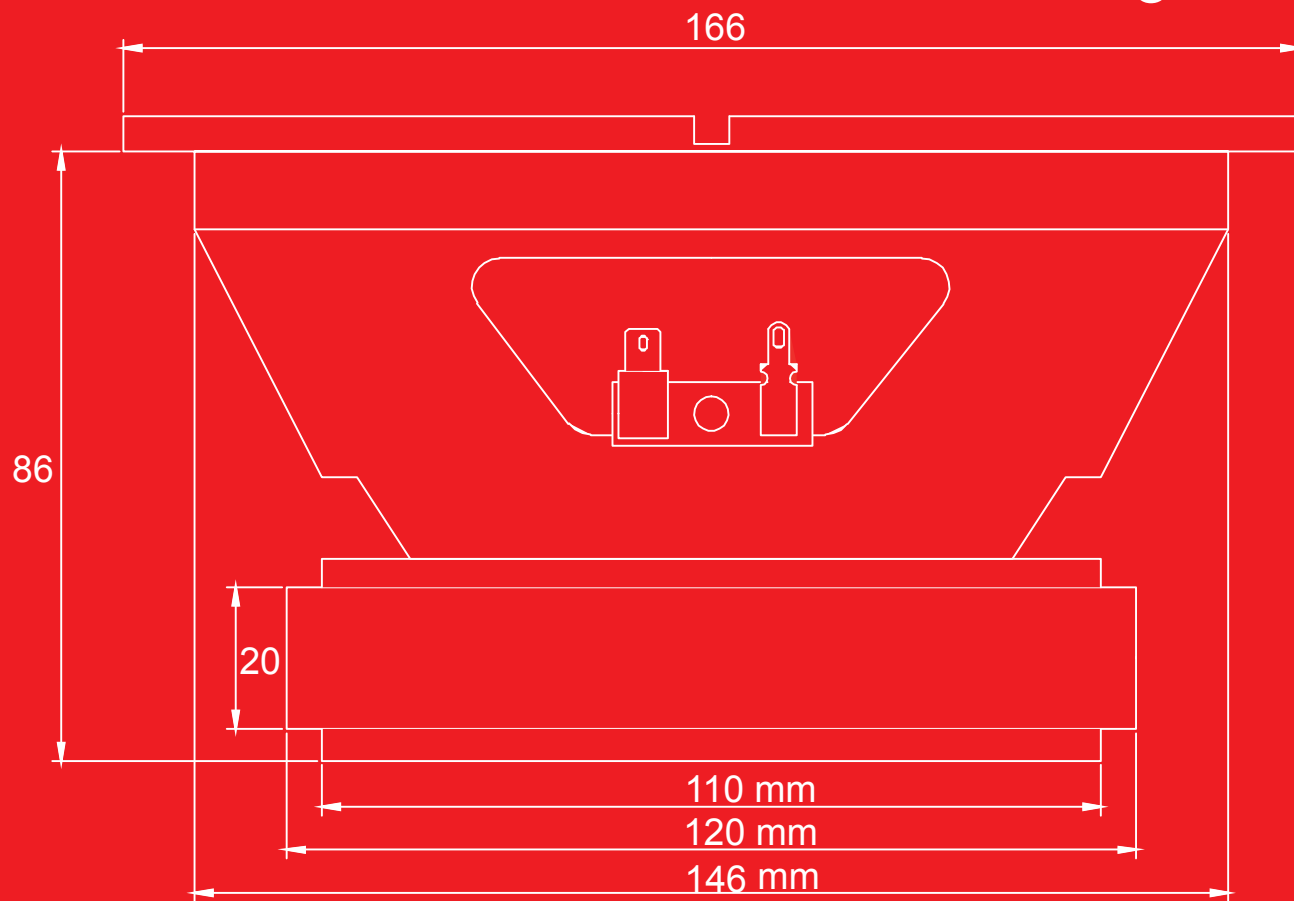


Htn 69 3 way 6 x 9" coaxial speaker



Power handling* : 150 W / 450 W

SPL: 93 dB

Nominal impedance: 4 Ohm

Xmax: 4 mm

Voice coil: 1.5"

Magnet weight / type: 30 Oz / ferrite

B2

Sql Audiophile Components

LIMITED WARRANTY INFORMATION

B2 audio offers a limited warranty under the following terms:

The product is to be free of defects in material & workmanship under normal use for a period of 1 year from the date of the original purchase, when installed by an authorized dealer. Items not installed by authorized dealers will be warrantied for 30 days from the original purchase. Original sales receipts must be accompanied with all returns. The warranty applies to the original purchaser of the product & it being sold by authorized B2 audio dealers.

- The warranty does not cover:
1. Damage caused by accident, abuse, misuse, improper operation, water / solvents & shipping.
 2. Product modification, neglect, failure to follow installation instructions & misrepresentation by the seller.
 3. Products used for competition purposes or are of such a character 4. Any product that has been opened.
 5. Products that has had the serial number defaced, altered or removed.
 6. The cost of shipping the product back for repair to an authorized repair centre & cost of return of non-defective items.

*It is essential that the speaker is given time to allow the suspension to soften up. Depending on use, this may take several weeks. While this process is undergoing, it is not recommended to apply full amplification power according to the speakers specs.