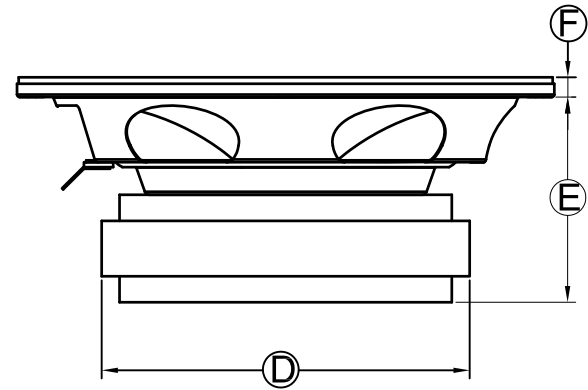
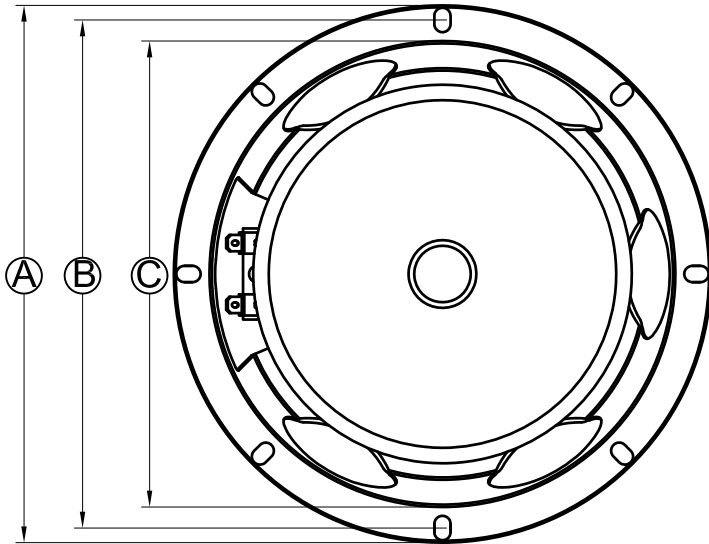




MODEL: HNTT

Product id: HNTT412



A	Ø 97,9
B	
C	Ø 85,5

D	Ø 69,5
E	28
F	

Power handling*:	30 W / 120 W
Frequency response:	2 KHz ~ 20 KHz
Sensitivity:	10& dB
Nominal impedance:	4Ω
DC Resistance (RE):	3.9Ω
Recommended cut off frequency:	5 KHz / 12 dB min
Voice coil diameter:	1"

